

## PARTI PER MITSUBISHI

### Cl. 109, 303

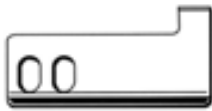


**ER106CM01A38**  
MS 01 A 0838



**ER106CM01B38**  
MS 01 B 0838

### Cl. 339, 349



**ER106CM40B34**  
MG 40 B 0834



**ER106CM40B35**  
MG 40 B 0835

### Cl. 410, 430



**ER106CM41B38**  
MP 41 B 0838

### Cl. DB 130, 189, 199



**ER104C000062**  
MF 22 B 0120  
HSH-7,94A



**ER104C000034**  
MF 16 A 0120  
HSH-7,94B



**ER104C000189**  
MF 10 E 0125  
601



**ER104C000303**  
270010  
ferro



**ER104C000304**  
272152  
alluminio



**ER104C000076**  
MF 25 B 0120  
HSM-A  
Larga capacità



**ER104C000003**  
MF 62 B 0120  
DA1-A

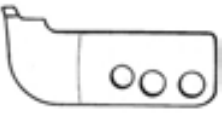





**ER104C000205**  
MF 25 E 0125 - 801  
**ER104C000206**  
MG 40 E 0125 801NBL1

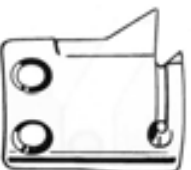



**ER104C000301**  
40264 ferro  
**ER104C000302**  
40264 A Alluminio

**CI. DB 130, 189, 199 (segue)**






 <b>ER106CM40A15</b> MF 40 A 1835 <b>ER106CM40A25</b> MF 40 A 2835	 <b>ER106CM40A14</b> MF 40 A 1834	 <b>ER106CM40A80</b> MF 40 A 2180	 <b>ER106CM16A38</b> MF 16 A 0838 CI. DB 130, 189, 199, LS 2-150, 180, 190
---	--	---	---

**CI. DY 359**



 <b>ER106CM52A34</b> MG 52 A 0834	 <b>ER106CM52A38</b> MG 52 A 0838
--	--

**CI. LS 2-180, 190. PLK-1210**

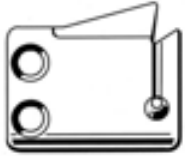
 <b>ER104C000040</b> MF 01 E 0120 HSH-7,94BTR	 <b>ER104C000047</b> MF 42 B 0120 HSH-7,94BOHNTR	 <b>ER104C000190</b> MF 40 E 0125 801NBL6	 <b>ER104C000357</b> ferro	 <b>ER104C000359</b> alluminio
---	--	---	---	---

 <b>ER106CM00A34</b> MF 00 A 0834 CI. LS 2-180	 <b>ER106CM00A38</b> MF 00 A 0838 CI. LS 2-180	 <b>ER106CM90B38</b> MF 90 B 2838 CI. LS2-190, PLK-1210	 <b>ER106CM44B38</b> MG 44 B 0838 CI. LS2-190, PLK-1210	 <b>ER106CM90A38</b> MF 90 A 0838 CI. LS2-190, PLK-1210
--	--	---	--	---

**CI. LS 2-230, 250**

 <b>ER106CM50B38</b> MN 50 B 0838	 <b>ER106CM50A38</b> MN 50 A 0838
--	--

CI. PLK-1410, 1710



**ER106CM02A34**  
MF 02 A 0834



**ER106CM02A38**  
MF 02 A 0838



**ER106CM03A38**  
MS 03 A 0838



**ER106CM03B38**  
MS 03 B 0838



**ER110CMA0611**  
MS 01 A 0611



**ER110CMA2101**  
MS 03 A 2101



**ER110CMA0329**  
MS 01 A 0329