

# 車縫輔助裝置系列 SUPPLEMENTARY DEVICE



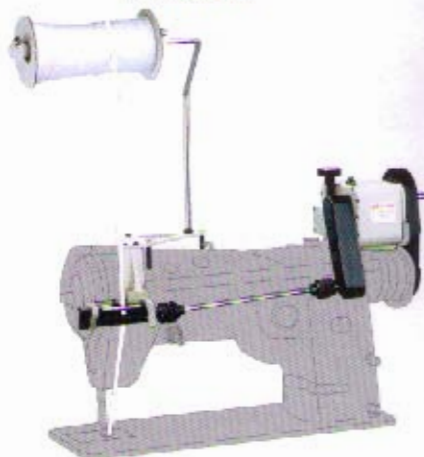
## MD series

機械式鬆緊帶調節裝置  
Mechanical Metering Device for Elastic Tape

It pulls a great deal by  
Working with Racing device



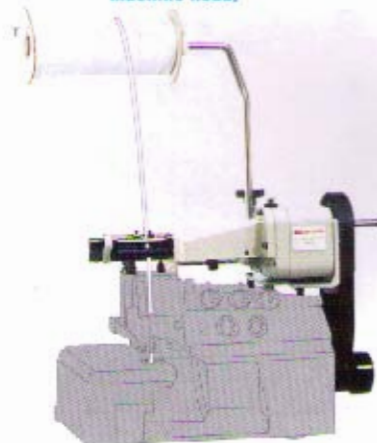
**MDL 31-2** 平床車用專用型(基座固定於機頭上)  
FOR SPECIFIC ZIG-ZAG (Base is mounted on the machine head)



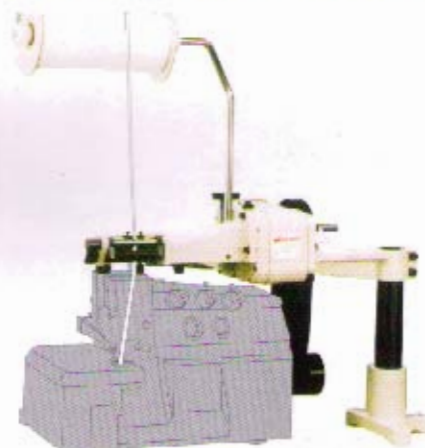
**MDL 30-2** 飾縫車用(基座固定於車板上)  
FOR COVERSTITCH (Base is mounted on the table)



**MDK 61-2** 包縫車用專用型(基座固定於機頭上)  
FOR SPECIFIC OVERLOCK (Base is mounted on the machine head)



**MDK 60-2** 包縫車用(基座固定於車板上)  
FOR OVERLOCK (Base is mounted on the table)



## MD 訂貨說明 Order Guide

**MD L 31 2 JUKI LZ2280N-7**

**1** ● 機械式鬆緊帶調節機  
● Mechanical Metering Device for Elastic Tape

**4** ● 送帶寬度：  
● Feeding Width：  
2 : 2"(50mm)  
4 : 4"(100mm)

**2** ● 分類：  
● Sewing Machine Type:  
L : 平床車用 K : 包縫車用  
L : Flat Bed Machine K : Overlock

**5** ● 安裝縫紉機廠牌機型  
● Adaptable Sewing Machine and Model

**3** ● 代號：  
● Code:  
30.60 基座固定於車板上  
30.60 Base is mounted on the table.  
31.61 基座固定於機頭上  
31.61 Base is mounted on the machine head.

**6** ● 自動切線及附屬配件編號  
● Auto Thread Trimmer or Other Attachment Device Number