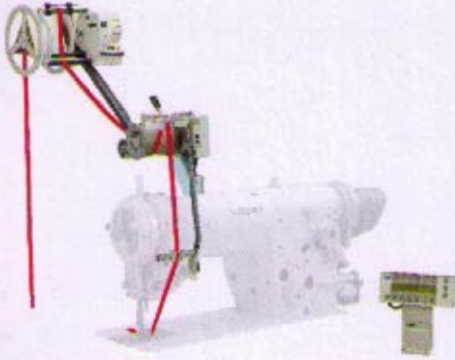


MC M8系列 微電腦全方位送帶機(主機與控制盒分離型)

Versatility Tension type computerized metering device
(The main unit is separate from the control box and display panel)

MC M8U 上送 UPPER FEED

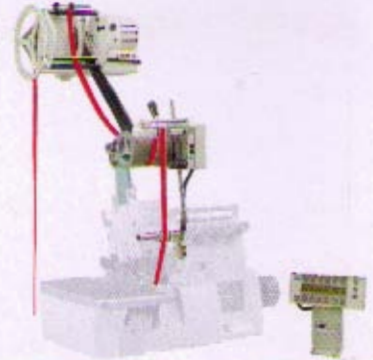
例一：MC M8U-Z(人字車)
EXAMPLE 1 : MC M8U-Z(ZIG-ZAG)



例二：MC M8U-C(飾縫車)
EXAMPLE 2 : MC M8U-C(COVERSTITCH)

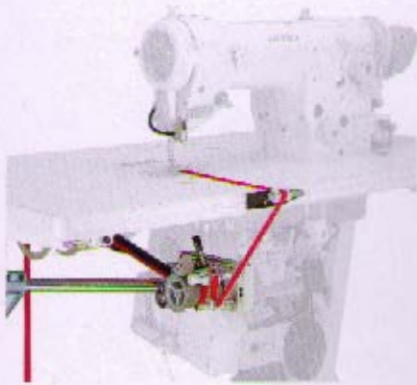


例三：MC M8U-K(包縫車)
EXAMPLE 3 : MC M8U-K(OVERLOCK)

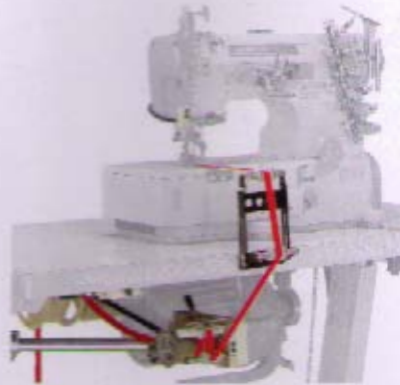


MC M8B 下送 BOTTOM FEED

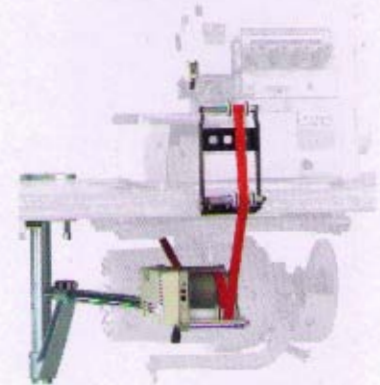
例一：MC M8B-Z(人字車)
EXAMPLE 1 : MC M8B-Z(ZIG-ZAG)



例二：MC M8B-C(飾縫車)
EXAMPLE 2 : MC M8B-C(COVERSTITCH)



例二：MC M8B-K(包縫車)
EXAMPLE 2 : MC M8B-K(OVERLOCK)

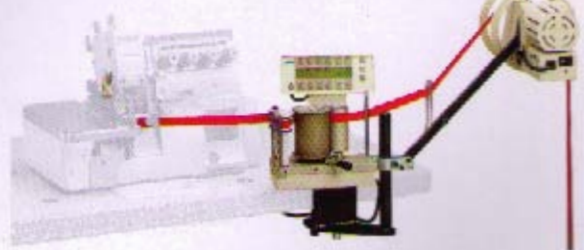


MC M8S 側送 SIDE FEED

例一：MC M8S-Z(人字車)
EXAMPLE 1 : MC M8S-Z(ZIG-ZAG)



例三：MC M8S-K(包縫車)
EXAMPLE 3 : MC M8S-K(OVERLOCK)



例二：MC M8S-C(飾縫車)
EXAMPLE 2 : MC M8S-C(COVERSTITCH)



例四：MC M8S-C(後送)
EXAMPLE 4 : MC M8S-C(REAR FEED)

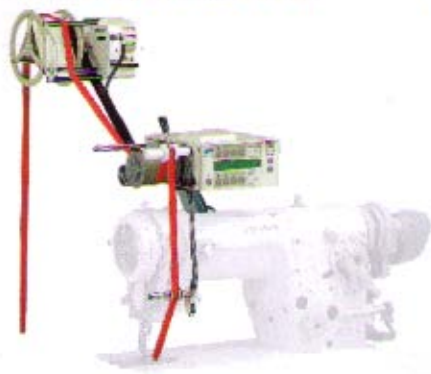


MC E8U 系列 上送專用，微電腦全方位送帶機(主機與控制盒合併型，安裝簡便)。

Tension type computerized metering device for upper feed only.
(The main unit, control box and panel are all together in one unit)

MC E8U 上送 UPPER FEED

例一：MC E8U-Z(人字車)
EXAMPLE 1 : MC E8U-Z(ZIG-ZAG)



例二：MC E8U-C(飾縫車)
EXAMPLE 2 : MC E8U-C(COVERSTITCH)



例三：MC E8U-K(包縫車)
EXAMPLE 3 : MC E8U-K(OVERLOCK)



配件說明

Description of accessory for MC series



- 安裝於皮帶輪端的計數器，計算車縫的針數自動換段(選擇配件)。
- Fits on the machines hand wheel to control automatic section changes (Optional Parts).



- LED + 手動換段(選擇配件)：體積小，操作簡便。
- LED and manual section change (Optional Parts) : This tiny display shows the current section being sewn and includes a switch for manual section changes.



- 壓動換段開關(標準配件)：工程換段用。
- Knee Switch (Standard) : For manual section changes.



- 無張力開關(人字車用)
- Free Tape Function Switch (For zig-zag machine only).



- 懸吊無張力開關(飾縫車、包縫車用)
- Suspended switch for free tape function (For coverstitch and overlock machines only).



- 踏板開關：壓腳自動提昇專用(AK裝置)
- Pedal Switch : For free tape function. Only for with Auto Lifter (AK Device)



- 蜂鳴裝置：(上、下送型)當鬆緊帶糾纏打結未能解開時，會響報告知排除，以避免影響車縫尺寸。
- Alarm Buzzer : The buzzer will buzz if the elastic or tape gets too tight. This will eliminate mistakes caused by the material being locked to the end of the roll or any other similar occurrence (For upper or bottom feed models only).

訂貨說明

Order guide

MC M8 U - Z / SY

1 2 3 4

- 1 ●微電腦多功能鬆緊帶控制裝置機型代號：
- Model for Multi-Function Computerized Elastic Metering Device :

MC M8系列：微電腦全方位送帶機(主機與控制盒分離型)
MC M8 SERIES : Tension type computerized metering device for upper, bottom, side or rear feeds.
(The main unit are separate from the control box and display panel)

MC E8U系列：微電腦上送型(主組機與控制板合併型，安裝簡便)
MC E8U SERIES : Tension type computerized metering device for upper feeding only.
(The main unit, control box and panel are all together in one unit)

- 2 ●分類：
- Sewing Machine Type:

U : 上送
U : Upper Feeding
B : 下送
B : Bottom Feeding
S : 側送
S : Side Feeding

- 3 ●車種：
- Machine Type :

Z : 人字車
Z : Zig-Zag
K : 包縫車
K : Overlock
C : 飾縫車
C : Coverstitch

- 4 ●配件：
- Accessory:

SY : 安裝於皮帶輪端的計數器(選擇配件)
SY : The Synchronizer Adapting on the Belt Pulley (Optional Parts)

規格表

Specifications

基座固定方式 Base Mounted place	車板 Table
工程設定 Program Set	8段 8 Section
記憶 Memory	26組 26 Mode
每針送帶量 Feed Range	0.4~4.0mm
最高速度 MAX. Speed	可配合各種縫初機轉速 Unlimited
SY計數器 SY Switch Counter	選擇配件 Optional
換動開關 Knee Switch for Manual Section Change	○
手動換段 Section Change by Finger	選擇配件 Optional
LED 換段指示燈 LED Indicate Lamp	○
無張力送帶 Free tension	○
送帶寬度最寬 MAX. Feeding width	64mm(2 1/2" inch)
電源 Power	AC100~240V 自動切換 AC 100-240V AUTO SWITCHING

※MC M8, MC E8 系列產品說明
※MC M8, MC E8 SERIES-PRODUCT SPEC.

MCA 18 系列 SERIES 自動切帶及送帶的功能，有27組程式及記憶，功能超強。 Auto-Cutting and Re-Insert. It can Reach Different Sewing Purpose by Powerful Multi-Function with 27 Program Memory.

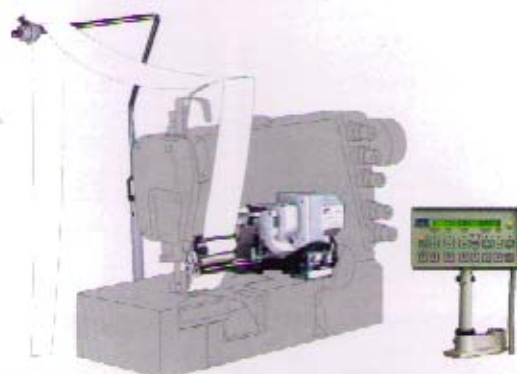
- 附有切帶裝置：可縫製各種鬆緊帶製品，特別是縫製圓筒型製品的接頭，車縫中鬆緊帶可以在壓布腳前自動快速切斷再重疊車縫，接頭平整美觀，車縫前後，壓布腳自動提升鬆緊帶，自動送到壓腳下待用。
- With Cutting Device: To any Elastic Attaching Sewing, Special for Connecting the Circle Sewing. During the Sewing Operation, It Can Auto Cut the Tape Fast in front of the Presser Foot for Covering Sewing to Make the Flat and Beautiful Sewing. In the Beginning and After Finish Sewing The Presser Foot will be Lifted Automatically. And the Elastic will be Re-Insert into the Presser Foot to Stand By.

MCA 18Z-19 千鳥車用 FOR ZIG-ZAG

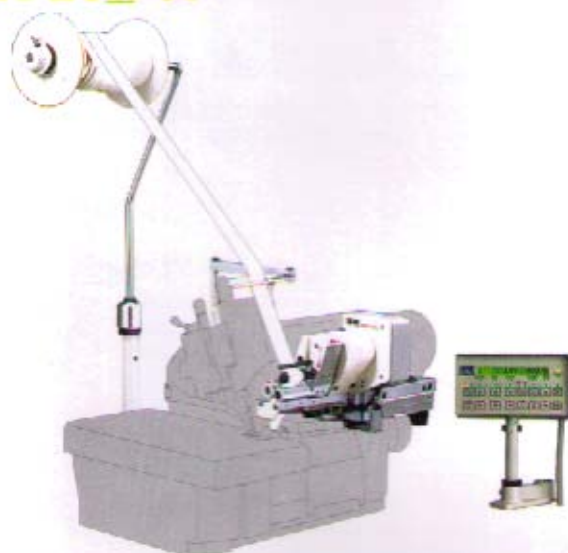


特殊機型·訂貨生產 Special Order Only

範例
EXAMPLE



MCA 18K-38 包縫車用 FOR OVERLOCK MCA 18K-64



TR 整線裝置：MCA 18K專用(選擇配件) Thread Release Device: For MCA 18K Only (Optional Parts) MCA 18K-38/TR MCA 18K-64/TR



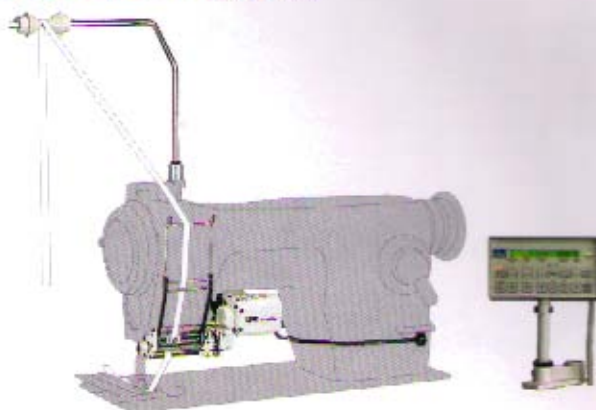
- 縫畢時可將車針的縫線放鬆使於切斷
- Release the thread for cutting thread easily after sewing.



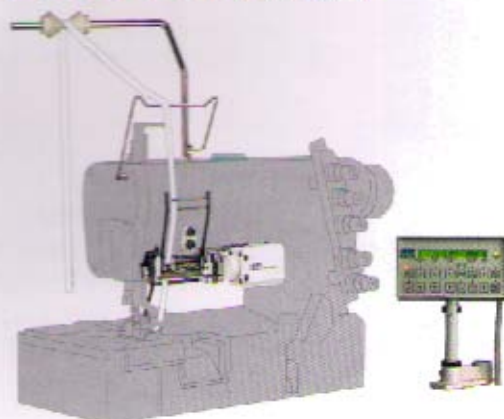
- 適用於有安裝吸入式線頭切斷裝置的包縫車
- Suitable for Overlock with Chain Cutter and Vacuum

MC 18 系列 SERIES 有27組程式及記憶，功能超強，可達成各種不同需求的車縫。 27 Program Memory. It can Reach Different Sewing Purpose by Powerful Multi-Function.

MC 18Z-57 千鳥車用 FOR ZIG-ZAG

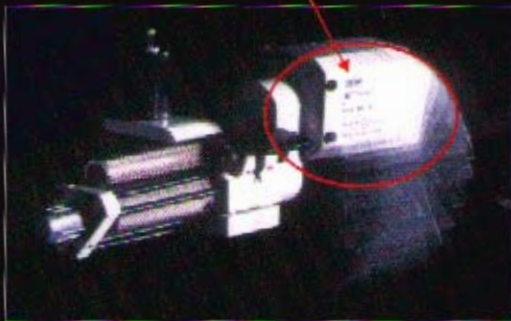


MC 18C-57 鉤縫車用 FOR COVERSTITCH



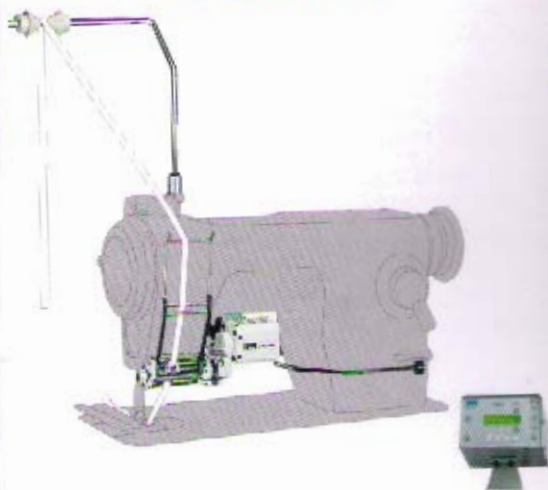
MC S6 系列 SERIES

- 旋轉式底座：可安裝於各種廠牌機型的縫紉機，不會與機頭發生干涉。
- Rotable Base: It can be mounted on every brand and model without to interfere with Sewing Machine.



- 體積小，安裝簡便。
- Compact Size Allows easy installation.
- 可用於一般離合器馬達及定位馬達之縫紉機。
- No Matter The Motor Is Clutch or Position.

MC S6Z-57 千鳥車用 FOR ZIG-ZAG



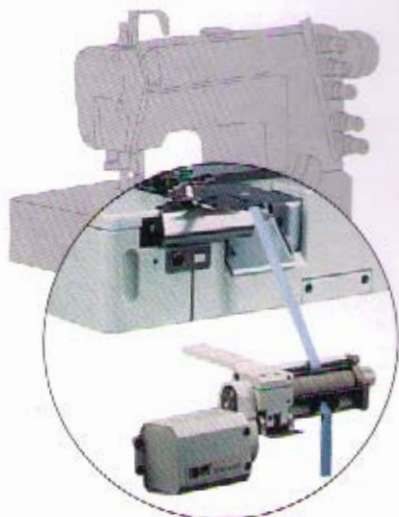
MC S6K-57 包邊車用 FOR OVERLOCK



MC S6C-57 飾邊車用 FOR COVERSTITCH



MC S6B-57 下送用 FROM BOTTOM FEED



MC S6S-57 側送用 FROM SIDE FEED

