

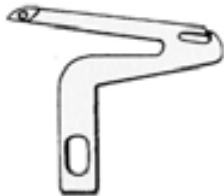











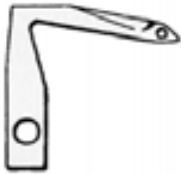




PARTI PER JUKI





Cl. MO-102, 103, 104, 202, 234, 305, 335, Bernette

 <p>ER104CJ2512A A2512-102-000</p>	 <p>ER104CJ2513A A2512-103-000</p>	 <p>ER104CJ2517A A2517-103-000 501419-03</p>	 <p>ER104CJ2511A A2511-202-000</p>
 <p>ER106C000104 A4113-102-000</p>	 <p>ER106CJ41425 A4142-335-000 501434-03</p>	 <p>ER106CJ41455 A4145-335-000 501454-03</p>	

Cl. EF-205, 405, 406, 434, 436, 605, 738, Baby Lock, Rimoldi

 <p>ER106C000126 305248</p>	 <p>ER106C000123 305149</p>	 <p>ER106CJ4051A 405-9102-01A</p>	 <p>ER106CJPLQ1A PLQ11-01A</p>	 <p>ER106CJPLQ1C PLQ11-01C</p>
 <p>ER106CJPLR1A PLR11-01A</p>	 <p>ER106CJSER1A SER11-01A</p>	 <p>ER104CJ6051A 605-6102-01A</p>	 <p>ER104CJ4182A 418-6101-02A</p>	 <p>ER104CJ7141A 714-6101-01°</p>

























Cl. MO-352, 357, Premier

 <p>ER104C000597 B2520-353-000</p>	 <p>ER104C000594 B2011-357-000 F-5017</p>	 <p>ER104C000596 B2520-352-000 E-7017 F-7018</p>	 <p>ER104C000595 B2521-352-000 E-7033 F-7033</p>
--	---	---	--

CI. MO-352, 357, Premier (segue)







 <p>ER106C000101 B4108-352-00B</p>	 <p>ER106C000102 B4108-352-00D 500178</p>	 <p>ER106C000103 B4122-352-00A</p>
---	--	---

CI. MO-804, 812, 814, 816

 <p>ER106C000117 B4111-804-000</p>	 <p>ER106C000119 B4111-804-00C</p>	 <p>ER106C000120 B4111-804-00A</p>	 <p>ER106C000121 B4118-804-00C</p>	 <p>ER106CJ8804A B1528-804-000A</p>	 <p>ER104C000590 B2514-803-000</p>
 <p>ER104C000591 B2519-804-000</p>	 <p>ER104C000605 B2519-814-000</p>	 <p>ER104C000592 B2118-816-000</p>	 <p>ER104C000593 B2521-804-000</p>	 <p>ER104C000606 B2521-814-00B</p>	 <p>ER110CJ21816 B4121-816-000</p>
 <p>ER110CJ15816 B1515-816-000</p>	 <p>ER110CJ12816 B1512-816-000</p>	 <p>ER110CJ11816 B1511-816-000</p>	 <p>ER110CJ18804 B2518-804-000</p>	 <p>ER110CJ03816 B2203-816-000</p>	 <p>ER110CJ04816 B2204-816-000</p>
 <p>ER110CJ28804 B4128-804-000</p>	 <p>ER110CJ21804 B4121-804-000</p>	 <p>ER110CJ20804 B4120-804-000</p>	 <p>ER110CJ22816 B4122-816-000</p>	 <p>ER110CJ1814G B4121-814-00G</p>	 <p>ER110CJ0814F B4120-814-00F</p>

Cl. MO-804, 812, 814, 816 (segue)













MOD.	DIST. AGHI mm	LARG.CUC. mm	NR RANGHI
MO-804-OD4	-	3	2
MO-812-DD6	3	3	3
MO-814-BD4	2	3	2
MO-816-DD4	3	3	2
MO-816-FF6	5	5	3

MOD.						
MO-804-OD4	ER110CJ35804 B1435-804-000	ER110CJR0EDC R4200-EOD-C00	ER110CJ7805A B1657-805-000A	ER110CJ56805 B1656-805-000	ER110CJ58804 B1658-804-000	ER110CJ7804A B1507-804-0A0
MO-812-DD6	ER110CJ0714B B1420-714-B00	ER110CJR8EFE R4308-E0F-E00	ER110CJ7812A B1657-812-D0A	ER110CJ6812C B1656-812-DOC	ER110CJ58804 B1658-804-000	ER110CJ7812D B1507-812-DAC
MO-814-BD4	ER110CJ0714B B1420-714-B00	ER110CJR5EDE R4205-EOD-E00	ER110CJ7804C B1657-804-00C	ER110CJ56804 B1656-804-000	ER110CJ58804 B1658-804-000	ER110CJ7814A B1507-814-0A0
MO-816-DD4	ER110CJ0716D B1420-716-D00	ER110CJR8EDC R4508-EOD-C00	ER110CJ57816 B1657-816-000	ER110CJ56816 B1656-816-000	ER110CJ58804 B1658-804-000	ER110CJ7816A B1507-816-0A0
MO-816-FF6	ER110CJ0716F B1420-716-F00	ER110CJREFGA R4612-E0F-G00A	ER110CJ7816K B1657-816-F0K	ER110CJ6816H B1656-816-FOH	ER110CJ58804 B1658-804-000	ER110CJ7816F B1507-816-FAD

ALTRE PLACCHE PER MO-800

Codice	Originale
ER110CJROEDB	R4200-EOD-DAO
ER110CJR8EDF	R4608-EOD-FAO
ER110CJR8FEA	R4308-E0F-E0A

Cl. MO-2300, 2400, 2500

					
ER106C000125 118-47407 MO-2406>3914	ER106C000127 118-45609 MO-2406>3914	ER106C000128 118-45708 MO-2416>3916	ER106C000122 118-47506 MO-2416>3916	ER106C000129 118-45906 MO-2516>3916	ER106C000130 118-45807 MO-2404>3914
					
ER106C000100 B4111-804-00E	ER106C000097 118-45807G	ER106C000096 115-65900	ER106C000131 118-46003 MO-2300>3900	ER106C000098 115-66502	ER106CJ87605 118-47605


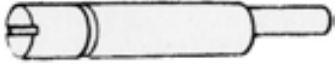


















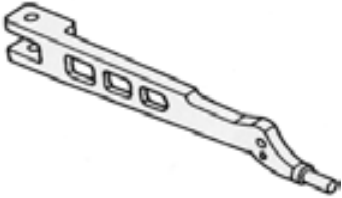



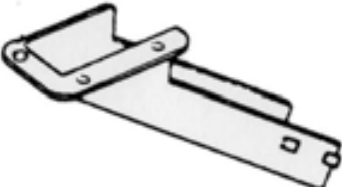

CI. MO-2300, 2400, 2500 (segue)

					
ER104CJ88005 118-88005 per fine MO-2404>3916	ER104CJ88104 118-88104 standard MO-2400>6700	ER104CJ88302 118-88302 per pesante MO-2300>2500	ER104CJ88609 118-88609	ER104CJ54806 115-44806	ER104CJ61908 116-51908
					
ER104CJ88401 118-88401 MO-2300>2500	ER104CJ54905 115-44905	ER104CJ88501 118-88708	ER104CJ89904 118-89904		
					
ER104CJ57309 115-97309 MO-3700>3900	ER104CJ88708 118-88708	ER104CJ29405 118-29405 MO-2316>3616	ER104CJ59202 115-39202		
					
ER110CJ87603 118-67603 MO-2416, 2516	ER110CJ87207 118-67207 MO-2414, 2514	ER104CJ83301 119-03301	ER104CJ83202 118-03202	ER104CJ83103 118-03103	ER110CJ11406 B1140-716-000
ER110CJ87108 118-67108 MO-2404, 2504	ER110CJS753S SS-7090530-SP Vite	ER110CJS753S SS-7090530-SP Vite			
					
ER110CJ51301 115-01301 Bussola eccentrica ER110CJS842T SS-8110422-TP Vite	ER110CJ82402 118-02402 ER110CJS617P SS-6111740-SP Vite ER110CJN611S NS-6110420-SP Dado	ER110CJ82303 118-02303 ER110CJS411S SS-4110715-SP Vite ER110CJW045S WP-0450000-SD Rondella	ER110CJT54R0 TA-1250406-R0 Tappo	ER110CJ83400 118-03400 Molla sportello ER110CJS717P SS-7110720-SP Vite	

CI. MO-2300, 2400, 2500 (segue)

					
ER110CJ80604 118-00604 Tappo olio	ER110CJ50808 115-00808 Guarnizione	ER110CJ81403 118-11403 Disco	ER110CJR7350 R0-3473501-00 Anello	ER110CJ86105 118-16105 Passafilo	ER110CJ86501 118-16501 Passafilo
					
ER110CJ86600 118-16600 Passafilo	ER110CJ86857 118-16857 Passafilo	ER110CJ86907 118-16907 Passafilo	ER110CJ86204 118-16204 Passafilo	ER110CJ86303 118-16303 Passafilo	ER110CJ86402 118-16402 Passafilo
					
ER110CJ86410 118-16410 Passafilo	ER110CJ86006 118-16006 MO-2404, 2416 MO-2504, 2516 Tipo vecchio	ER110CJ86014 118-16014 MO-2404, 2416 MO-2504, 2516 Tipo nuovo	ER110CJ87301 118-17301 MO-2414, 2514	ER110CJ87103 118-17103	ER110CJ83308 118-33308 Passafilo
					
ER110CJ83001 118-33001 Passafilo	ER110CJ83506 118-33506 Passafilo	ER110CJ83407 118-33407 Passafilo	ER110CJ83100 118-33100 Passafilo	ER110CJ83209 118-33209 Passafilo	ER110CJ04816 B2204-816-000 Passafilo
					
ER110CJ87210 118-17210 Passafilo	ER110CJS411S SS-4110715-SP Vite	ER110CJ86709 118-16709 Passafilo	ER110CJS411S SS-4110715-SP Vite	ER110CJ87202 118-17202 Passafilo	ER110CJS411S SS-4110715-SP Vite
					
ER110CJ89603 118-29603 Passafilo	ER110CJ31132 B3113-352-000	ER110CJ1609B B1609-804-B00 Cuscinetto	ER110CJ83309 118-23309 Ghiera	ER110CJ87100 118-47100 Squadra	ER110CJ51403 115-71403 Gommino

CI. MO-2300, 2400, 2500 (segue)

 ER110CJ89504 118-29504 Guida	 ER110CJ84505 118-24505 Albero	 ER110CJ84653 118-24653 Anello	 ER110CJ15085 B1508-352-000 Vite	 ER110CJ58908 115-28908 Molla	
 ER110CJ1647A B1647-704-000A Pomello	 ER110CJ82006 118-02006 Molla	 ER110CJ81859 118-01859 Leva sportello	 ER110CJ90605 118-90605 Salvaago	 ER110CJS706S SS-7060510-SP Vite	 ER110CJ80001 118-90001 Salvaago
 ER110CJ81674 118-31674 Tipo vecchio ER110CJ84553 118-34553 Tipo nuovo	 ER110CJ81450 118-31450 ER110CJS915T SS-9151210-TP Vite	 ER110CJ81559 118-31559 ER110CJS915T SS-9151210-TP Vite	 ER110CJ82458 118-32458 ER110CJS915T SS-9151210-TP Vite		
 ER110CJ90100 118-90100 Salvaago ER110CJS790S SS-7090610-SP Vite	 ER110CJ90308 118-90308 Salvaago ER110CJS790S SS-7090610-SP Vite	 ER110CJ90506 118-90506 Salvaago ER110CJS790S SS-7090610-SP Vite	 ER110CJ80704 118-90704 ER110CJS695T SS-6090560-TP Vite	 ER110CJ86102 118-46102 F/colt ER110CJS901T SS-9111010-SP Vite	
 ER110CJ89604 118-19604 Asta piedino	 ER106CJ8804A B1528-804-000A Coltello catenella ER110CJS541S SS-5060410-SP Vite	 ER110CJ86409 118-46409 MO-2404,2414 ER110CJS707S SS-7090710-SP Vite	 ER110CJ86508 118-46508 MO-2416 ER110CJS707S SS-7090710-SP Vite		
		ER110CJ80005 118-50005/118-49908 Scivolo scarico ritagli completo			

CI. MO-2300, 2400, 2500 (segue)

Pos.	Codice	Originale	Descrizione
2	ER110CJS611S	SS-6111040-SP	Vite
3	ER106C000127	118-45609	Coltello
4	ER110CJW037D	WP-0370316-SD	Rondella
1	ER110CJ85302	115-45302	Supporto
5	ER110CJS983T	SS-9090813-TP	Vite

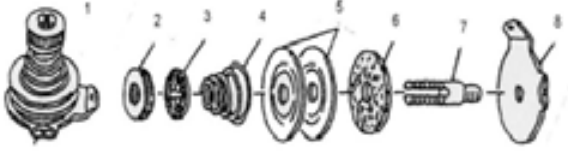
Pos.	Codice	Originale	Descrizione
2	ER106C000130	118-45807	Coltello
3	ER110CJ55702	115-65702	Piastrina
4	ER110CJS406S	SS-4060310-SP	Vite
5	ER110CJ55504	115-65504	Ferma coltello
1	ER110CJ58000	115-98000	Supporto
6	ER110CJ55603	115-65603	Copri coltello
7	ER110CJS916S	SS-9111610-SP	Vite

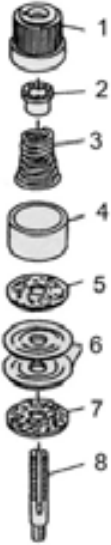
Pos.	Codice	Originale	Descrizione
4	ER110CJW037D	WP-0370316-SD	Rondella
5	ER110CJS983T	SS-9090813-TP	Vite
6	ER110CJ85401	118-45401	Supporto
7	ER110CJS616S	SS-6111610-SP	Vite
8	ER106C000128	118-45708	Coltello







Pos.	Codice	Originale	Descrizione
4	ER110CJS406S	SS-4060310-SP	Vite
5	ER110CJ55504	115-65504	Ferma coltello
3	ER110CJ55702	115-65702	Piastrina
6	ER110CJ55603	115-65603	Copri coltello
10	ER110CJS913S	SS-9112310-SP	Vite
8	ER110CJ85500	118-45500	Supporto
9	ER106C000129	118-45906	Coltello






Pos.	Codice	Originale	Descrizione
1	ER110CJSD63P	SD-0630271-SP	Vite
2	ER110CJ80404	118-20404	Leva
3	ER110CJ80909	118-20909	Molla
4	ER110CJ80305	118-20305	Premi piedino
5	ER110CJ80156	118-20156	Barra
6	ER110CJ1515B	B1515-804-00B	Molla regolare
6	ER110CJ1515A	B1515-804-000A	Molla materiali leggeri/
7	ER110CJ80206	118-20206	Vite di regolazione
8	ER110CJ89414	118-19414	Gancio nuovo
9	ER110CJ89406	118-19406	Gancio vecchio
10	ER110CJS741S	SS-7111410-SP	Vite
11	ER110CJ15294	B1529-804-000	Fermo S
12	ER110CJS716S	SS-7161040-SP	Vite
13	ER110CJ89307	118-19307	Leva
14	ER110CJ89109	118-19109	Perno a vite
15	ER110CJ89208	118-19208	Molla
16	ER110CJN716S	NS-6110420-TP	Dado

CI. MO-2300, 2400, 2500 (segue)

	Pos.	Codice	Originale	Descrizione
	1	ER110CJ50852	115-50852	Gr. Tensione completa
	2	ER110CJ23149	B2314-019-000	Pomello
	3	ER110CJ31205	B3120-125-000	Ghiera
	4	ER110CJ20172	B2017-372-000	Molla
	5	ER110CJ31262	B3126-012-000	Piattello
	6	ER110CJ31202	B3120-352-000	Feltro
	7	ER110CJ50803	115-50803	Perno
	8	ER110CJ50308	115-50308	Passafilo

	Pos.	Codice	Originale	Descrizione	Colore
	1	ER110CJ3106A	B3106-704-00A	Pomello	Giallo
	1	ER110CJ3106B	B3106-704-00B	Pomello	Rosso
	1	ER110CJ3COLT	B3106-704-00C	Pomello	Blu
	2	ER110CJ31124	B3112-704-000	Ghiera	
	3	ER110CJ31020	B3102-804-000	Molla tens.	Giallo
	3	ER110CJ31010	B3101-804-000	Molla tens.	Rosso
	3	ER110CJ31030	B3103-804-000	Molla tens.	Blu
	4	ER110CJ31074	B3107-704-000	Spingi molla	
	5	ER110CJ31200	B3120-704-000	Feltro	
	6	ER110CJ31262	B3126-012-000	Piattello	
	7	ER110CJ31202	B3120-352-000	Feltro	
	8	ER110CJ31054	B3105-804-000	Perno	
	Gruppi tensione completi				
		ER110CJ3102B	B3102-704-0B0	Gr. Tensione.	Giallo
		ER110CJ3101B	B3101-704-0B0	Gr. Tensione.	Rosso
		ER110CJ3103B	B3103-704-0B0	Gr. Tensione.	Blu

 ER110CJ85503 118-70755	 ER110CJ69005 118-69005 MO-2404, 2504 (O)	 ER110CJ69658 118-69658 MO-2414, 2514 (B)	 ER110CJ70359 118-70359 MO-2416, 2516 (D) 3 mm	 ER110CJ70458 118-70458 MO-2416, 2516 (F) 5 mm	 ER110CJ70755 118-70755 MO-2443,2543 (DB) 3+2 mm
---	---	---	--	--	--

MO-23... 24... 25.. MODELLO	DIST. AGHI mm	LARG. CUC. mm	NR RANGHI					
..04 - OA5	-	1	2	ER110CJR00AC R4200-H0A-C00	ER110CJ89002 118-99002	ER110CJ88905 118-98905	ER110CJ87007 118-87007	ER110CJ86067 118-76067
...04 - OD4	-	3	2	ER110CJR0DDA R4200-H0D-DA0	ER110CJ7804T B1657-804-00T	ER110CJ82107 118-82107	ER110CJ87106 118-87106	ER110CJ81455 118-81455
..14 - BD4	2	3	2	ER110CJR5DEA R4205-H0D-EA0	ER110CJ7814B B1657-814-B0E	ER110CJ97101 115-97101	ER110CJ87106 118-87106	ER110CJ81554 118-81554
..14 - BD4- 200	2	3	2	ER110CJR5HDE R4305-H0D-E00	ER110CJ86504 118-86504	ER110CJ82404 118-82404	ER110CJ87106 118-87106	ER110CJ81570 118-81570
..14 - BD6- 300	2	3	3	ER110CJR5HDE R4305-H0D-E00	ER110CJ86504 118-86504	ER110CJ82404 118-82404	ER110CJ87106 118-87106	ER110CJ86869 118-76869
..14 - BD6- 307	2	3	3	ER110CJR5HDE R4305-H0D-E00	ER110CJ86504 118-86504	ER110CJ82404 118-82404	ER110CJ87106 118-87106	ER110CJ86158 118-76158

segue

CI. MO-2300, 2400, 2500 (segue)


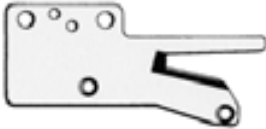

MO-23., 24., 25.. MODELLO	DIST. AGHI mm	LARG. CUC. mm	NR RANGHI					
..16 - DD4	3	3	2	ER110CJR8DDA R4508-H0D-DA0	ER110CJ85209 118-85209	ER110CJ82800 118-82800	ER110CJ87403 118-87403	ER110CJ77552 118-77552
..16 - DF6	3	5	3	ER110CJR8FG0 R4608-H0F-G00	ER110CJ85407 118-85407	ER110CJ84400 118-84400	ER110CJ87403 118-87403	ER110CJ77651 118-77651
..16 - FF6	5	5	3	ER110CJR2FG0 R4612-H0F-G00	ER110CJ85407 118-85407	ER110CJ83006 118-83006	ER110CJ87403 118-87403	ER110CJ77750 118-77750
..15 - BD4	2	3	2	ER110CJR5H00 R4505-H0D-D00	ER110CJ85209 118-85209	ER110CJ82602 118-82602	ER110CJ87403 118-87403	ER110CJ87362 118-77362
..15 - DE4	3	4	2	ER110CJR8HE0 R4508-H0E-D00	ER110CJ85209 118-85209	ER110CJ82800 118-82800	ER110CJ87403 118-87403	ER110CJ87578 118-77578
..16 - BD6- 500	2	3	3	ER110CJR8HDB R4508-H0D-B00	ER110CJ90901 119-80901	ER110CJ90703 119-80703	ER110CJ87304 118-87304	ER110CJ87362 118-77362
..16 - DD4- 100	3	3	2	ER110CJR5HDF R4605-H0D-F00	ER110CJ85209 118-85209	ER110CJ82800 118-82800	ER110CJ87403 118-87403	ER110CJ89764 118-79764
..16 - DF4- 300	3	5	2	ER110CJR8HFD R4508-H0F-D00	ER110CJ85209 118-85209	ER110CJ82800 118-82800	ER110CJ87403 118-87403	ER110CJ87578 118-77578
..16 - DG4- 300	3	6	2	ER110CJR8HGD R4508-H0G-D00	ER110CJ85209 118-85209	ER110CJ82800 118-82800	ER110CJ87403 118-87403	ER110CJ87578 118-77578
..16 - DH4- 300	3	7	2	ER110CJR8HHD R4508-H0H-D00	ER110CJ85209 118-85209	ER110CJ82800 118-82800	ER110CJ87403 118-87403	ER110CJ87578 118-77578
..43 - DBD6- 300	3+2	3	3	ER110CJR8HD1 R4608-H0D-E01	ER110CJ86009 118-86009	ER110CJ82305 118-82305	ER110CJ87403 118-87403	ER110CJ87966 118-77966
..43 - FBD6- 300	5+2	3	3	ER110CJR2HE1 R4612-H0D-E01	ER110CJ86009 118-86009	ER110CJ84004 118-84004	ER110CJ87403 118-87403	ER110CJ88055 118-78055

ALTRE PLACCHE NON ILLUSTRATE	
Codice	Originale
ER110CJR00D0	R4200-H2D-D00
ER110CJR00DB	R4200-H0D-DAB
ER110CJR00DF	R4200-H2D-DOF
ER110CJR32DE	R4300-H2D-E00

ER110CJR3E00	R4300-H0D-E00
ER110CJR3HDA	R4300-H0D-DA0
ER110CJR5HEB	R4305-H0D-EAB
ER110CJR5HDF	R4605-H0D-F00
ER110CJR3E00	R4300-H0D-E00
ER110CJR3HDA	R4300-H0D-DA0

DISPOSITIVI






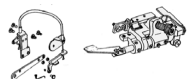
ASPIRA TAGLIA CATENELLA Modello T022

	ER110DT22 Gruppo Tagliacatenella T022 MO-2400/2500
 ER106CJ02204 MAT-02204000 Coltello fisso	 ER106CJ02203 MAT-02203000 Coltello mobile

GRUPPO ARRICCIATORIE S057 / S058



MANUALE

						
MO - 2400						
..04-0D6-320 2 fili 1 ago	ER110CJR3DD0 R4300-HOD-D0A	ER110CJ1657L B1657-814-B0L	ER110CJ83402 118-83402	ER110CJ87106 118-87106	ER110CJ88857 118-78857	ER110CJM058A MAS-05800-OA0 (S058)
..14-BD6-320 3 fili 1 ago	ER110CJR5DE0 R4305-HOD-E0A	ER110CJ1657L B1657-814-B0L	ER110CJ83402 118-83402	ER110CJ87106 118-87106	ER110CJ89350 118-79350	
..16-DD6-320 5 fili	ER110CJR8DF0 R4608-HOD-F00	ER110CJ85803 118-85803	ER110CJ83907 118-83907	ER110CJ87403 118-87403	ER110CJ89657 118-79657	ER110CJM057A MAS-05700-OA0 (S057)
..16-FF6-320 5 fili	ER110CJR2FB0 R4612-HOF-B00	ER110CJ85902 118-85902	ER110CJ84103 118-84103	ER110CJ87403 118-87403	ER110CJ80457 118-80457	