





## PARTI PER ADLER



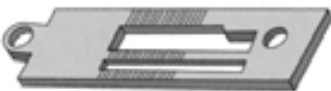

### Cl. 67, 68

|  |  |   |   |  |
|--|--|---|---|--|
| <br><b>ER104C000108</b><br>068 15081 4<br>filo pesante HAD-68 | <br><b>ER104C000239</b><br>068 00178 4              | <br><b>ER104C000347</b><br>68180 ferro iron            | <b>PER TUTTI I VARI ALTRI PIEDINI<br/>VEDERE IL CATALOGO RELATIVO</b> |  |
| <br><b>ER110CA02036</b><br>067-20-036-0                        | <br><b>ER110CA20075</b><br>067-20-075-0<br>Rasafilo | <br><b>ER110CA02128</b><br>067-21-028-0<br>Foro grande |   |  |



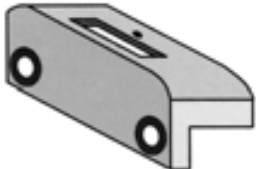

### Cl. 67, 167, 267 Trasformazione per bordare

|  |  |   |  |
|--|--|---|--|
| <br><b>ER111CA22081</b><br>067-22-081-0 | <br><b>ER111CA22080</b><br>067-22-080-0 | <br><b>ER110CA20039</b><br>067-20-039-0 | <br><b>ER110CA21030</b><br>067-21-030-0 |
|--|--|---|--|

### Cl. 67-62, 167-62 Trasformazione piedino rotella

|  |   |   |  |
|--|---|---|--|
| <br><b>ER111C000496</b> | <br><b>ER110CA00111</b><br>068-00-111-4<br>Barra con snodo | <br><b>ER110CA20021</b><br>067-20-021-0<br>(067-20-074-0) | <br><b>ER110CA21010</b><br>067-21-010-0 |
|--|---|---|--|

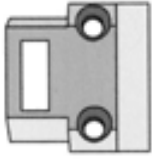



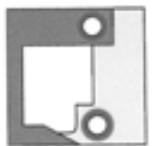



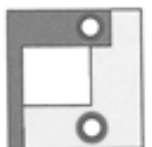

### Cl. 68 Trasformazione piedino rotella

|   |   |   |  |
|---|---|---|--|
| <br><b>ER111C000496</b><br>E11Cino a rotella<br>mm. 22 | <br><b>ER110CA00111</b><br>068-00-111-4<br>Barra con snodo | <br><b>ER110CA20002</b><br>068-20-002-0 Foro medio<br><b>ER110CA20003</b><br>068-20-003-0 Foro grande | <br><b>ER110CA21001</b><br>068-21-001-0 |
|---|---|---|--|











### Cl. 69

|   |   |   |
|---|---|---|
| <br><b>ER104C000015</b><br>069 00581 4<br>rasafilo<br>HPF-335(5) | <br><b>ER104C000211</b><br>069 00578 4 903<br><b>ER104C000212</b><br>069 15028 4 903 NBL | <br><b>ER104C000369</b><br>9033 ferro iron<br><b>ER104C000370</b><br>9033A alluminio |
|---|---|---|

**Cl. 69 Trasformazione per bordare**

|  |  |  |  |
|--|--|--|--|
| <br><b>ER110CA00133</b><br>069-00-133-0 | <br><b>ER110CA00268</b><br>069-00-268-0 | <br><b>ER110CA21018</b><br>069-21-018-0 |  |
| <br><b>ER111CA00391</b><br>069-00-391-0 | <br><b>ER111CA22117</b><br>069-22-117-3 | <br><b>ER110CA20015</b><br>069-20-015-0  | <br><b>ER110CA21014</b><br>069-21-014-0 |
| <br><b>ER111CA00391</b><br>069-00-391-0 | <br><b>ER111CA22100</b><br>069-22-100-3 | <br><b>ER110CA20100</b><br>069-20-100-0  | <br><b>ER110CA21100</b><br>069-21-100-0 |





**Cl. 167, 267**

|   |  |  |  |  |   |
|---|--|--|--|--|---|
| <br><b>ER104C000058</b><br>167 00181 4<br>HAD-167<br>cl. 167, 168, 267,<br>268 | <br><b>ER104C000241</b><br>167 00178 4<br>HAD-167 | <br><b>ER104C000111</b><br>167 15020 4<br>rasafilo<br>HAD-167TR<br>cl. 167 FA, 267 FA | <br><b>ER104C000238</b><br>167 15019 4<br>HAD-167TR | <br><b>ER104C000018</b><br>268 15017 4<br>rasafilo<br>HAD-267TR<br>cl. 268 FA | <br><b>ER104C000348</b><br>Maggiotara<br>167180 ferro<br><b>ER104C000346</b><br>167180A Allum. |
| <br><b>ER110CA12007</b><br>167-20-007-0  | <br><b>ER110CA12110</b><br>167-21-010-0           | <br><b>ER110CA12015</b><br>167-20-015-0  | <br><b>ER110CA12114</b><br>167-21-014-0           |  |   |

**Cl. 169, 269**

|  |  |  |  |  |  |
|--|--|--|--|--|--|
| Cucitura normale   |  | Cucitura stretta   |  | Cucitura per portafogli  |  |
| <br><b>ER110CA20001</b><br>169-20-001-0 | <br><b>ER110CA21008</b><br>169-20-008-0 | <br><b>ER110CA12002</b><br>169-20-002-0 | <br><b>ER110CA12101</b><br>169-21-001-0 | <br><b>ER110CA1200P</b><br>169-20-002-0/P | <br><b>ER110CA1210P</b><br>169-21-002-0/P |






**Cl. 467, 767**

|  |  |   |  |
|--|--|---|--|
| <br><b>ER110CA32003</b><br>367-20-003-0 mm. 6 | <br><b>ER110CA42104</b><br>467-21-004-0 mm. 6 | <br><b>ER110CA42009</b><br>467-20-009-0 mm. 8 | <br><b>ER110CA42106</b><br>467-21-006-0 mm. 8 |
|--|--|---|--|










**CI. 467, 767**

|  |  |  |  |
|--|--|--|--|
| <br><b>ER104C000017</b><br>467 15009 4<br>rasafilo<br>HAD-467TR   | <br><b>ER104C000348</b><br>Maggotara 167180 ferro<br><b>ER104C000346</b><br>167180A <i>alluminium</i> | <br><b>ER104C423421</b><br>423421<br>Cestello  | <br><b>ER104C423465</b><br>423465<br>Molla tensione |
|  <br><b>ER104C423483</b> <b>ER104C423484</b><br>423483            423484<br>Vite molla tens.    Vite regol. tensione | <br><b>ER104C423431</b><br>423431<br>Anello   | <br><b>ER104C423461</b><br>423461<br>Salva ago | <br><b>ER104C4MOLLA</b><br>Molla cestello           |
| <br><b>ER111CASALVA</b><br>Salvadito sganciabile<br>367/467/767  | <p style="text-align: center;"><b>PER TUTTI I VARI PIEDINI<br/>VEDERE IL CATALOGO RELATIVO</b></p>   |  |  |















**CI. EVEREST**

|  |  |  |  |  |
|--|--|--|--|--|
| <br><b>ER106C000057</b><br>10035/1X | <br><b>ER106C000058</b><br>10035/2X | <br><b>ER106C000059</b><br>10036/1X | <br><b>ER106C000060</b><br>10037/2X | <br><b>ER106C000061</b><br>10039/2X |
|--|--|--|--|--|







**CI. 67, 167, 267, 367, 467, 477, 550, 767, 768**

|  |  |  |  |   |  |
|--|--|--|--|---|--|
| <br><b>ER106C000007</b><br>367-33-133-0 HSS<br><b>ER106C000008</b><br>CT 067-33-057-0 | <br><b>ER106C000010</b><br>367-33-131-0 HSS<br><b>ER106C000009</b><br>CT 067-33-058-0 | <br><b>ER106C000012</b><br>367-33-132-0 HSS<br><b>ER106C000011</b><br>CT 067-33-070-0 | <br><b>ER106C000013</b><br>067-33-071-0   | <br><b>ER106C000031</b><br>397-33-130-0<br>HSS | <br><b>ER106C000004</b><br>067-00-046-0 HSS |
| <br><b>ER106C000006</b><br>067-00-046-2 HSS   | <br><b>ER106C000015</b><br>067-35-123-0   | <br><b>ER106C000020</b><br>067-00-936-0   | <br><b>ER106C000030</b><br>167-00-046-2 | <br><b>ER106C000032</b><br>167-03-300-2        |  |







**Cl. 67, 167, 267, 367, 467, 477, 550, 767, 768**

|  |  |   |  |   |   |
|--|--|---|--|---|---|
|   |   |  |    |  |   |
| ER106C000014<br>067-35-122-0   | ER106C000028<br>167-00-046-1   | ER106C000014<br>167-35-001-0  | ER106C000002<br>367-33-078-0 HSS   | ER106C000038<br>367-35-007-0  |   |
|   |   |  |     |  |  |
| ER106C000003<br>367-21-024-0 HSS   | ER106C000039<br>367-35-005-0   | ER106C000040<br>367-35-033-0  | ER106C000041<br>467-35-045-0   | ER106C000043<br>370-22-157-0  | ER106C000042<br>467-20-022-0  |
|  |  |   |  |   |   |
| ER106C000044<br>477-33-024-0   | ER106C000045<br>767-35-028-0   |   | ER106C000046<br>767-35-026-0   |   |   |

**Cl. 68, 268, 368**

|   |   |   |   |   |   |
|---|---|---|---|---|---|
|  |  |  |  |  |  |
| ER106C000016<br>68460   | ER106C000017<br>268-33-047-0  | ER106C000018<br>068-33-132 HSS  | ER106C000019<br>68668 - 3,1   | ER106C000001<br>268-35-003-0  | ER106C000005<br>268-35-001-0  |





**Cl. 81**

|   |   |   |   |   |   |
|---|---|---|---|---|---|
|  |  |  |  |  |  |
| ER106C000022<br>81082   | ER106C000023<br>81066   | ER106C000021<br>83082   | ER106C000024<br>CT 81582  | ER106C000025<br>81223   | ER106C000026<br>81221   |

**Cl. 296**

|  |   |   |   |   |   |
|--|---|---|---|---|---|
| <br><b>ER106C000034</b><br>296-20-002-0<br><b>ER106C000035</b><br>CT 296-20-002-0 | <br><b>ER106C000037</b><br>CT 296-33-043-0 | <br><b>ER104C000049</b><br>396 15281 4<br>HAD-396<br>cl. 296, 396,<br>296FA, 396FA | <br><b>ER104C000050</b><br>396 15081 4<br>filo pesante<br>HAD-396H<br>cl. 296, 396,<br>296FA, 396FA | <br><b>ER104C000183</b><br>396 15078 4<br><b>ER104C000184</b><br>396 15082 4<br>rasafilo | <br><b>ER104C000349</b><br>61056 ferro |
|--|---|---|---|---|---|

**Cl. 396, 550**








|  |  |  |  |
|--|--|--|--|
| <br><b>ER106C000048</b><br>396-35-075-0 | <br><b>ER106C000049</b><br>396-20-009-0 | <br><b>ER106C000050</b><br>396-33-069-0 | <br><b>ER106C000051</b><br>396-33-070-0 |
|--|--|--|--|

**Cl. 568**











**Cl. 971**

**Cl. 980**

**Cl. 1296**

|  |  |  |  |   |  |  |
|--|--|--|--|---|--|--|
| <br><b>ER106C000210</b><br>568-33-077-0 | <br><b>ER106C000211</b><br>568-33-076-0 | <br><b>ER106C000053</b><br>971-44-014-0<br><b>ER106C000052</b><br>CT 971-44-014-0 | <br><b>ER106C000055</b><br>971-44-018-0<br><b>ER106C000054</b><br>CT 971-44-018-0 | <br><b>ER106C000056</b><br>980-44-061-0 | <br><b>ER106C000228</b><br>129-17-554-0<br>91-165505-05 | <br><b>ER106C000229</b><br>129-17-185-3<br>91-171853-15 |
|--|--|--|--|---|--|--|

**VITI PER ADLER**

|   |  |   |  |  |
|---|--|---|--|--|
| <br><b>ER110CA00337</b><br>922-00-337-0<br>Vite placca ago | <br><b>ER110CA00475</b><br>992-00-475-0                     | <br><b>ER110CA00721</b><br>922-00-721-0<br>Vite ago    | <br><b>ER110CA00981</b><br>922-00-981-0<br>Vite griffa            | <br><b>ER110CA002389</b><br>992-02-389-0<br>Vite placca ago       |
| <br><b>ER110CA46070</b><br>994-46-070-8<br>Vite griffa     | <br><b>ER110CA000388</b><br>992-00-388-7<br>Vite placca ago | <br><b>ER110CA00053</b><br>992-00-053-7<br>Vite griffa | <br><b>ER110CA00687</b><br>992-00-687-7<br>Vite piedino anteriore | <br><b>ER110CA000978</b><br>992-00-978<br>Vite piedino posteriore |